

SEDONA

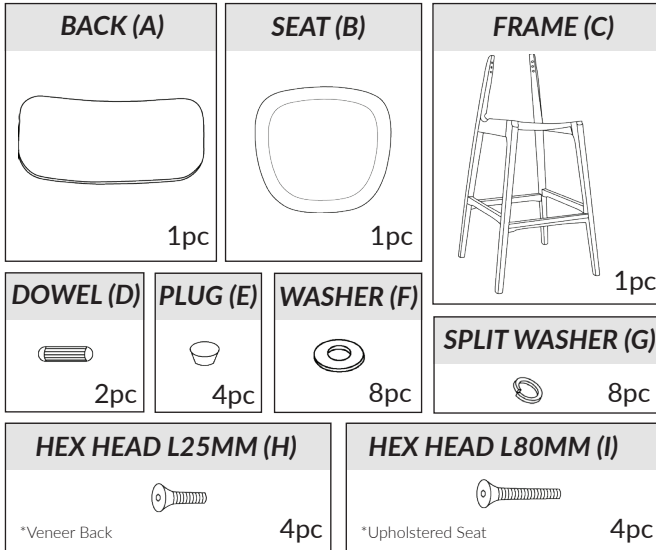
Timber Stool

ez ASSEMBLY INSTRUCTIONS

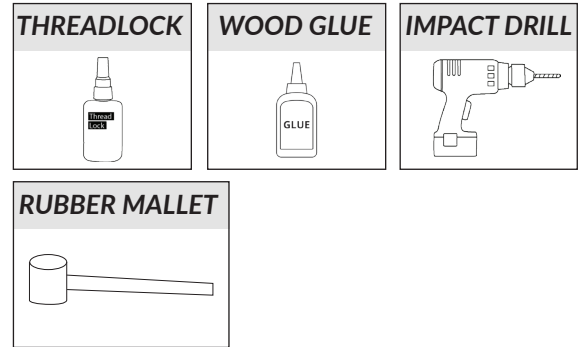


scan me

PARTS:



TOOLS (NOT INCLUDED):



We strongly recommend applying thread lock to the full length of all screws, applying wood glue to the plugs and using an impact drill.

WARNING:

Always take care with an impact drill gun, especially when screwing into the pads.

INSTRUCTIONS (VENEER SEAT & BACK):

